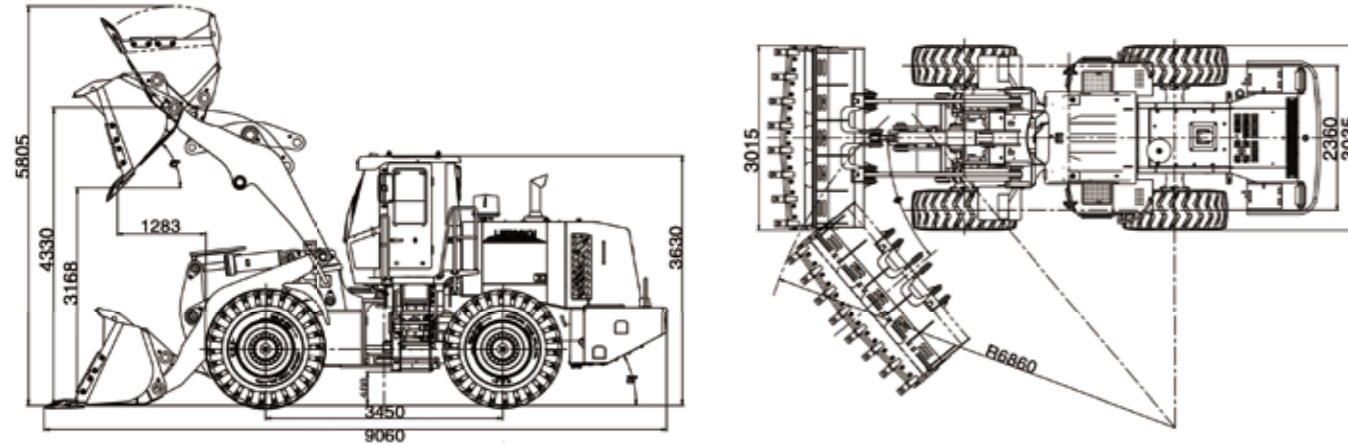


## Outline Dimensions



Description	LW700KN Coal Loader	LW700KN Rock Loader	Unit
Wheel base	3450	3450	mm
Wheel tread	2360	2360	mm
Dump clearance at maximum lift	3515	3168	mm
Reach at maximum lift	1388	1283	mm
Height of hinge at maximum lifting height	4780	4330	mm
Working height (fully lifted)	6560	5805	mm
Overall dimensions L×W×H	9455×3430×3630	9060×3035×3630	mm

## Main Specifications

Description	LW700KN Coal Loader	LW700KN Rock Loader	Unit
Rated operating load	7000	7000	kg
Bucket capacity	6	3.5	m <sup>3</sup>
Operating weight	25500	23550	kg
Maximum breakout force	150	210	kN
Maximum traction force	220	210	kN
Lifting time of boom	≤6.5	≤6.5	s
Total cycle time	≤11	≤11	s
Minimum turning radius (at tire center)	5920	5920	mm
Articulation angle	±40	±40	°
Gradeability	28	28	°
Tire size	26.5R25	26.5R25	
Engine model	WD12G310E221	WD12G310E221	
Rated Power/speed	226/2100	226/2100	kW/rpm
Traveling speed	I-gear(F/R)	7/7	km/h
	II-gear(F/R)	12.7/12.7	km/h
	III-gear(F/R)	27/27	km/h
	IV-gear(F)	38	km/h

Structure and specification are subject to change without notice. In case there is any difference between the description of the machine and the substantial machine, the substantial machine should govern.



Web: machmall.com  
Tel: +86-516 8773 9797  
E: machmall@xcmg.com

# LW700KN

## WHEEL LOADER



Description	LW700KN Coal Loader	LW700KN Rock Loader
Rated bucket capacity	6m <sup>3</sup>	3.5m <sup>3</sup>
Rated loading capacity	7000kg	7000kg
Rated power	226kW	226kW
Gross weight	25500kg	23550kg
Dumping height	3515mm	3168mm
Maximum breakout force	150kN	210kN





## Product Overview

- LW700KN is XCMG's latest generation 7t loader product applied with XCMG's exclusive globalized platform technology, with the comprehensive leadership in the fields of energy-conservation, efficiency, reliability, comfort, and maintainability. The corresponding models are designed respectively for the hard heavy materials (such as ores) and light bulk materials (such as coal) to realize the best productivity and are extensively applicable for the production organizations in ports, mines, and logistics enterprises.

## Model Characteristics

- The latest cab features higher safety, broader visual field, and more comfortable operations.
- The scientifically matched and in-depth optimized drive system and the transmission and drive axle of international advanced quality achieve higher efficiency and reliability.
- The three-segment drive shaft is applied and the front drive shaft adopts the flexible connection to reduce the impact on drive shaft and improve the drive reliability.
- The extended wheelbase heavy-duty design is analyzed and optimized by 3D simulation to realize high reliability and better energy-conservation.
- The double-pump confluence system, the hydraulic flow amplifying steering, and the single-joystick pilot control are applied to realize high efficiency and flexibility.
- The pressure unloading technology is applied to realize automatic unloading, reduce the overflow loss, and achieve higher traction force during operations under complicated environment.
- The single-row radiator with large fin spacing is applied to thoroughly solve the thermal balance difficult during operations under diversified severe environments.

---

The warranty period for the front and rear frames, boom, and arm is 2 years or 5,000 hours (whichever comes first), which is far beyond the loader industry warranty level to manifest the top quality of XCMG loaders.

---

## Performance advantages

- Higher power performance and efficiency, with maximum breakout force at 210kN, boom lifting time at  $\leq 6.5s$ , and total cycle time at  $\leq 11s$ .
- Coal loader: The 6.0m<sup>3</sup> light material bucket works with extended boom to realize a dumping height of up to 3.5m.
- Mine loader: The 3.5m<sup>3</sup> mine bucket specially handles the hard materials (such as rock), featuring high wear resistance and higher reliability.

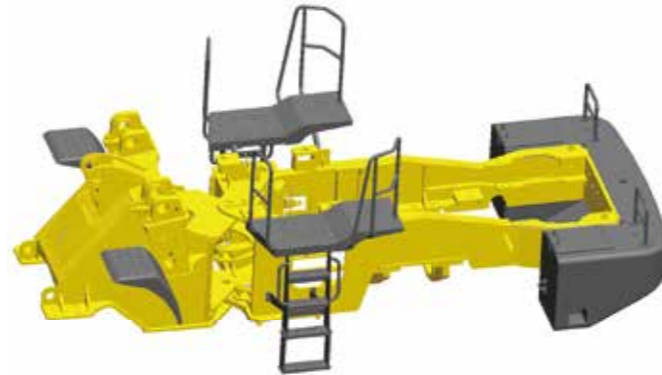


## Heavy-duty design ensures high firmness and reliability

Mightiness is the style of XCMG and heavy-duty is the characteristic of XCMG. By utilizing the international advanced design means (such as 3D simulation), XCMG builds the industry's most mighty machine structure, deeply researches the customer needs, and applies the globalized product R&D platform to guarantee the high attendance rate of the products.

### ■ Firm frame

- Through the finite element analysis and optimization, the front and rear frames feature reasonable layout, high stiffness, and strong overload resistance and are resistant to the torsions and impacts under various working conditions.
- The double-row tapered roller bearings are applied for the upper and lower hinge pins between front and rear frames to effectively diffuse the impacts from all directions, featuring higher carrying capacity and better stability and reliability.



### ■ Efficient and firm working device

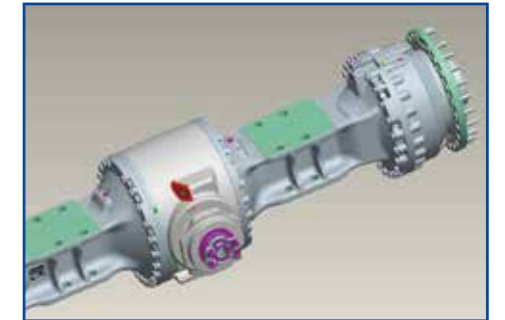
- The working device is made of high strength sheet material and is optimally designed. In combination with the high strength bucket, the machine boasts super-strong stockpile penetrating force, higher digging capacity, more accurate control, and short working time.
- With the application of electromagnetic positioning technology, the bucket incorporates the automatic leveling function and the boom incorporates the lifting limit function to simplify the operation procedures, reduce the working strength, prevent the mechanical impact during lifting, and realize higher working reliability.



- The critical parts adopt the international renowned brand products and are assembled under stringent quality management to guarantee the reliability of the machine.

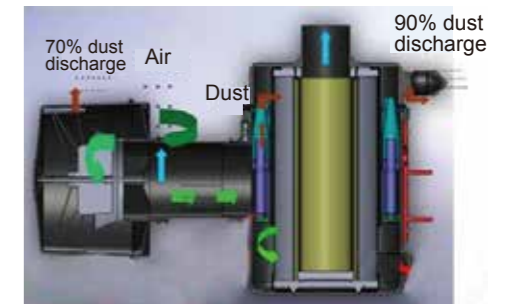
### — Wet drive axle

- The full-enclosed wet brake system is equipped to realize less wear and maintenance-free.
- Two independent hydraulic circuits guarantee the safety of brake system, as the malfunction of one circuit will not influence the functioning of the other circuit.



### ■ Special protection design

- The electrostatic powder coating technology is comprehensively applied for the machine and the protection measure is taken for all electric connectors and critical hydraulic pipelines to form effective anti-corrosion capacity.
- The double-stage dustproof measure for hinge pins and the three-stage intake filter measure for engine adapt to the operations needs under severely dusty environments.



### ■ International quality hydraulic and electric units

- The international brand energy-saving, high efficiency, and low noise hydraulic pump equipped provides stronger hydraulic power.
- The high-precision cold-drawn steel tubes are applied for all hydraulic pipes to realize better butt welding performance and reliability.
- All harnesses adopt full-sealed connectors to greatly improve the water-proof and dust-proof capacity.





## High efficiency and energy-conservation

XCMG's exclusive power system matching technology guarantees the optimal power performance. The design of bucket shape remarkably improves the filling coefficient. The excellent material holding capacity works with the strong power output to meet the operation needs of completing the maximum workload within minimum time.

### Scientifically matched and in-depth optimized drive system

- The international leading full-automatic electronic control transmission is equipped, with four forward and three reverse gears and switchover function between automatic and manual modes. The automatic shift technology based on intelligent control defines the reasonable gearshift strategy as per the principle of optimal drive efficiency to simplify the operations and save the energy.
- The international leading full-hydraulic wet brake axle equipped features high carrying capacity and compact structure. The front axle is fitted with anti-slip differential, featuring powerful field adaptability.

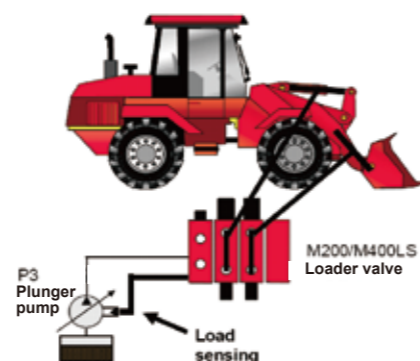


### Low emission and low fuel consumption engine

- China-II emission compliant Weichai engine.
- The low noise and high torque engine and the high capacity torque converter guarantee the maximum efficiency during low speed traveling to remarkably reduce the fuel consumption.

### Energy-conservation and high-efficiency hydraulic system

- The double-pump confluence system, the hydraulic flow amplifying steering, and the single-joystick pilot control are applied to realize high efficiency and flexibility.
- The pressure unloading technology is applied to realize automatic unloading, reduce the overflow loss, and remarkably improve traction force under composite working conditions.
- With total cycle time at 11.5s, the hydraulic system features high working efficiency.



### Lightweight design

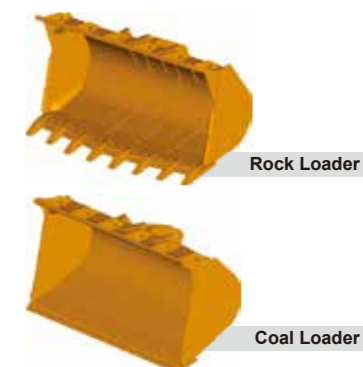
- XCMG's exclusive high strength skeleton frame system is applied and the dynamics simulation research, the in-depth finite element analysis, and the lightweight design for structural parts are taken to minimize the own weight of machine and realize that the "load-carrying material ratio" is remarkably leading the industry products.

### Enlarged bucket capacity

- The bucket is thoroughly made of high strength steel plates to improve the wear resistance and impact resistance by more than 30% and prolong the service life.
- The high performance bucket adopts high guard plate structure to reduce the scattering of material, increase the filling coefficient, guarantee the maximum material loading capacity, and improve the productivity.
- Optimized lubricating oil-ways: Without the drilling of holes on hinge pins, the strength and service life of the connecting hinge pins between boom and bucket are increased by more than one time.

#### Diversified bucket design:

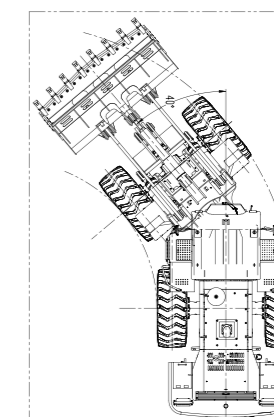
- The 3.5m<sup>3</sup> mine rock bucket can handle the heavy-duty severe working conditions and especially challenge the hard materials (such as rock), featuring high impact resistance and wear resistance.
- The 6.0m<sup>3</sup> light material bucket is designed especially for bulk materials (such as coal) to adapt to diversified coal working conditions and realize high efficiency.



### Extended wheelbase/40° articulated angle

- Extended wheelbase and wide wheel tread ensure high longitudinal and lateral stability.
- The 40° articulated angle guarantees powerful field adaptability.

Wheel tread	2360mm
Wheelbase	3450mm
Minimum turning radius (tire center)	5920mm



## Spacious cabin

- The super-large luxury cab features large space and good visual field and the molded rubber floor covering features high sealing and dustproof performance.
- Standard high-power heating and air conditioning system.
- Standard MP3 player, AM/FM radio, and luxury loudspeaker system.
- Angular adjustable steering gear.
- Diversified high-capacity storage cells.
- Optional reversing camera system reduces the reversing blind spots and ensures higher operation safety.



The all-new digitalized VDO combination instrument features high beauty and elegance and the easily accessible operating units and buttons easily realize all kinds of operation actions.



The freely adjustable luxury cushioned seat and steering gear can meet the operating habits and needs of the operators in different body sizes.



The full-coverage exquisite interior trim parts and the damping and noise reduction measures for the cab and engine hood reduce the noise by more than 6dB to meet the European cab internal noise standard and build a comfortable operating environment.



The panorama rear windscreen with rear wiper and the reversing sensor equipped ensure good visual field and safe reversing.



## Human-oriented design guarantee safety and reduce fatigue

### ■ Pilot control

- The single-joystick proportional pilot control hydraulic system is applied to realize precise control and handy operations, with the operating force only at 1/3 of conventional products.

### ■ Double-limit

- The double-limit (hydraulically flexible and mechanically rigid modes) is applied for steering limit (primary flexible mode and secondary rigid mode) to ensure impact-free and destruction-free and high operation comfort.

### ■ Flow amplifying steering

- The full-hydraulic flow amplifying steering system ensures handy and flexible steering.

### ■ Air cushioned seat

- This machine can be installed with optional air-cushioned composite control seat, of which the lumbar support and the seat cushion inclination can be adjusted to protect the vulnerable lumbar vertebra, mitigate the waist fatigue arising from long-time driving, improve the driving comfort, and remarkably reduce the driver's fatigue strength.





## Convenient Maintenances

XCMG takes the user's convenient maintenances as the important design concept. All maintenance points are easily accessible to improve the safety, shorten the maintenance time, and ease the daily maintenances.

The new skeleton structure engine hood and the large upturning side gates boast large opening angle and make the checking, repair, and maintenance easier for the engine and radiator.

The points for checking of oil level and adding of oil and grease are arranged at the easily accessible locations to make easier the checking and replacement of air filter element and electric parts.

### ■ Skeleton structure engine hood

- The new skeleton structure engine hood and the large side gates boast large opening angle and make the checking, repair, and maintenance easier for the engine and radiator.



### ■ Radiator with large fin spacing

- The radiator adopts the single row parallel structure with large fin spacing to realize good heat dissipation performance, easy cleaning, and high blockage resistance and perfectly adapt to diversified heavily dusty working conditions.



- The pressure measurement ports for hydraulic system and transmission system are concentrated to ease the checking and maintenance of the system.



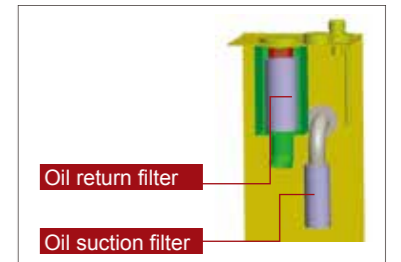
- The central fuse case centrally indicates the working status of electric system and eases the maintenances.



- The powder sintered dustproof ventilator features high firmness and reliability and easy maintenances.



- The independent chamber design for oil return line of hydraulic oil tank guarantees the convenient maintenances.



- The optional central lubrication system pumps automatically a fixed volume of lubricating grease at fixed intervals to all lubricating points to ensure the normal and durable working of all friction pairs.



- The optional full-sealed lubrication-free bushings remarkably simplify the user's daily maintenances.

## Customer support

- To guarantee the users' trouble-free use of products, XCMG launched the babysitting "Three-Dedicated Service" (Dedicated person, dedicated vehicle, and dedicated garage).
- Oriented towards the full lifecycle, this service covers all products both within and beyond the warranty scope to create lifelong guarantee for the products.







Machmall.com is an electromechanical product platform officially launched by XCMG, aiming to provide global customers with a complete set of high-quality construction machinery solutions and supporting equipment.

Xuzhou Construction Machinery Group Co., Ltd. (XCMG Group), founded in 1943, is the fourth largest worldwide construction machinery manufacturer and the largest in China with products covering 183 countries and regions.

XCMG have 12 complete solutions: Crane lifting, Mining Construction, Earth-moving Solutions, Road Machinery, Concrete Equipment, Tunnel and Underground Space Construction, Mobile Elevating Work Platform (MEWP), Piling and Non-excavation Equipment, Transportation Equipment, Environmental Sanitation Equipment, Firefighting, Safety and Emergency Rescue


徐工徐工，助您成功

— XCMG for your success —



 <https://www.machmall.com/>

 [machmall@xcmg.com](mailto:machmall@xcmg.com)

 0086 18652 183963  
86-516 8773 9797

